

EVGA nForce 750i SLI Visual Guide

The following quick steps will guide you through testing the absolute bare minimum essentials of your motherboard before installing it into a system chassis. Visual aids are provided to assist you during the following procedures.

To reduce the risk of fire, electric shock, and injury always follow basic safety precautions. It is recommended that you use electrostatic discharge (ESD) countermeasures such as an ESD wrist strap or anti-static mat when handling computer components.

After removing the EVGA nForce 750i SLI™ from its packaging, place it on to a nonconductive surface. For example: wood, cardboard box, or an anti-static mat.

1

a. b. c.

Unhook the socket lever and lift up the load plate. Remove the LGA 775 protective cover and carefully install your Intel processor making sure to properly align the notches. Close the load plate and with light pressure, lower the socket lever back in to its original position.

2

a. b.

Apply a small, pea-sized drop of thermal paste on to the middle of the processor. Install your processor heatsink and fan.

3

a. b.

Plug in one keyboard into a USB port or PS/2 port.

4

a. b.

Install one stick of system memory (DIMM) in to the DIMM slot of your choice.

5

a. b.

Insert your graphics card into either the PCI-E 2.0 slot or the PCI slot. The type of slot depends on the graphic card bus type. Connect a monitor to the output connector of the graphics card.

6

a. b. c. d.

Make sure your power supply's power switch is in the OFF position then connect your 24-Pin ATX Power Connector and 8-Pin CPU Power Connector to the motherboard.

7

a. b. c. d.

Plug in power connectors to both the graphics card and the hard disk drive. Power connector types will vary depending on the hard disk drive and graphic card's power requirements.

8

a. b. c. d.

SATA Connection

IDE Connection

Connect one hard drive disk to either one of the SATA Connectors or to the IDE Connector depending on the hard disk drive connection type.

9

a. b.

On the power supply, flip the power switch to the ON position. LEDs will now be lit on the motherboard. Press the onboard Clear CMOS button once then press the green Power Button to begin powering up the system.

At this final stage, you should now be greeted with the POST screen on your monitor.

Press the onboard Clear CMOS button Press the green Power Button

EVGA nForce 750i SLI Quick Install Guide

Gaming • Imaging • 3D Video • Entertainment • Photos • Graphics

STEP 1 - Install CPU

1. Unlock the socket by pressing the lever sideways, then lift it up to a 90° angle.
2. Lift the load plate. There is a protective socket cover on the load plate to protect the socket when there is no CPU installed.
3. Remove the protective socket cover from the load plate. (Save this protective piece, as it is needed whenever transporting or shipping the motherboard.)
4. Align the notches in the CPU with the notches on the socket.
5. Lower the CPU straight into the socket. Close the lid plate and engage the socket lever.
6. The CPU will need a proper cooling solution, please refer to the manual that came with your heatsink for detailed instructions.



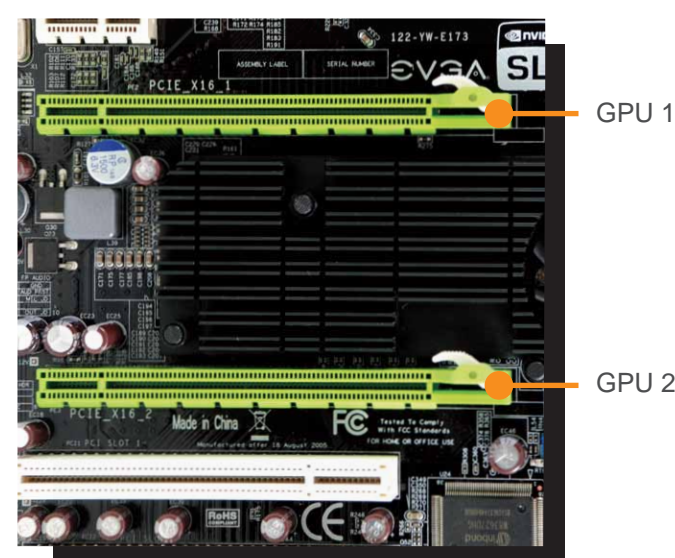
STEP 2 - Install Memory

1. This motherboard supports up to four 240-pin DDR2 memory modules. Having matched pairs is highly recommended for dual channel configurations.
2. For dual channel configurations use DIMM slots 0 and 1, 2 and 3, or 0 through 3. It is recommended to use the "Black Slots" if running in 2 Dimm Mode

* Use matching color slots for dual channel

STEP 3 - Install Graphics Card(s)

1. This motherboard has two PCI Express X16 slots.



(Two)
PCI Express X16 slots.

STEP 4 - Connect Peripherals

1. Now connect your peripheral devices such as hard drives, floppy drive, and DVD-ROM drives to the motherboard.

Cables

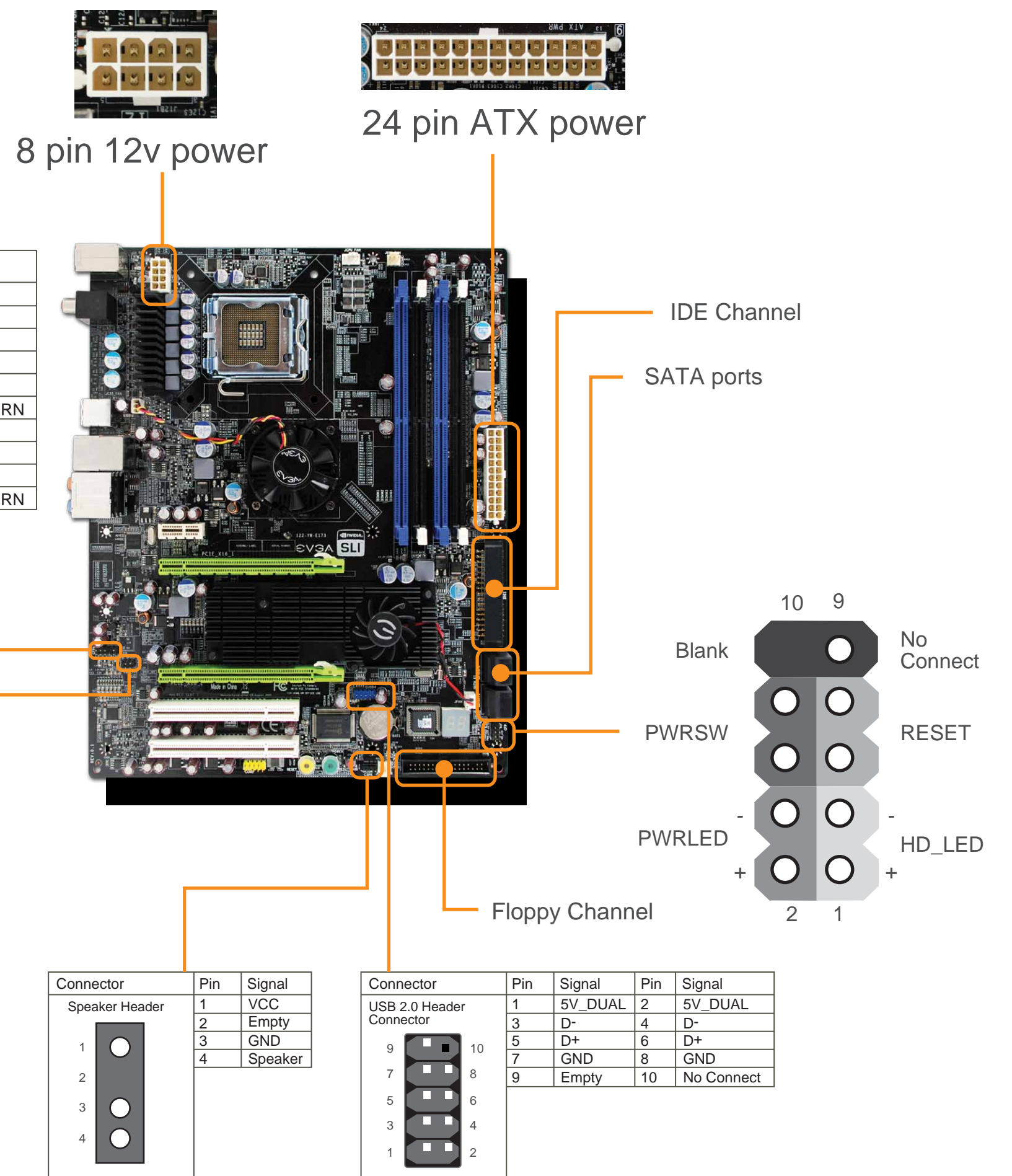


For package information and more details, please visit the manual.

2. Next you will connect power cables to the motherboard and any other peripherals in your system.
- * Remember to plug in your PCI-E power cables to your graphics card(s) if necessary.
3. Connect the front panel headers and any other headers that are going to be in use.

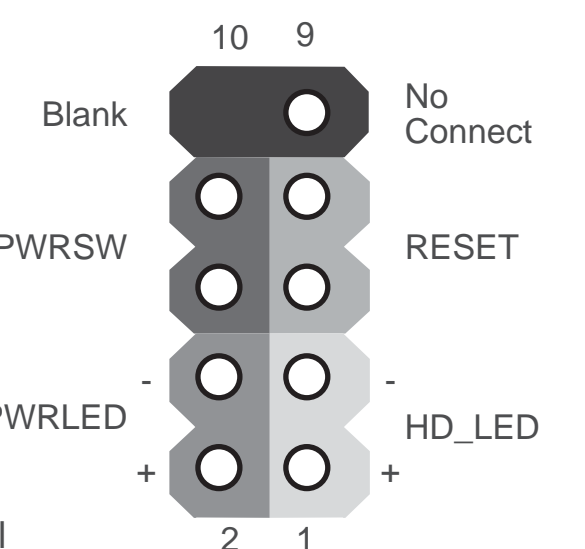
Connector	Pin	Signal
Front Audio Connector	1	PORT1_L
	2	AUD_GND
	3	PORT1_R
	4	PRECENCE J
	5	PORT2_R
	6	SENSE1_RETURN
	7	SENSE_SEND
	8	Empty
	9	PORT2_L
	10	SENSE2_RETURN

Connector	Pin	Definition
SPDIF	1	Power
	2	No Pin
	3	SPDIF
	4	SPDIF
	5	GROUND
	6	GROUND



Connector	Pin	Signal
Speaker Header	1	VCC
	2	Empty
	3	GND
	4	Speaker

Connector	Pin	Signal	Pin	Signal
USB 2.0 Header Connector	1	5V_DUAL	2	5V_DUAL
	3	D-	4	D+
	5	D+	6	D-
	7	GND	8	GND
	9	Empty	10	No Connect



Thank you for purchasing an EVGA product. Please remember to register your product at: <http://www.evga.com/register>

For the latest drivers and updates for your product please visit: <http://www.evga.com/support/drivers>

To visit and search our knowledge base and product FAQ please visit: <http://www.evga.com/FAQ>

To visit the EVGA community message boards please visit: <http://www.evga.com/forums>

Advanced RMA
Stepping-Up Your Customer Service

90Day Step-Up Program



For more information about these services as well as our terms and conditions please visit www.evga.com



Tech Support
888 · 881 · EVGA
714 · 528 · 4500
www.evga.com/support
*Not all Premium Services apply to all products.

