

EVGA | X15

Quick Guide



More...

GETTING START YOUR X15 GAMING MOUSE



STEP 1

Plug USB connection Cable to your PC / Branchez le câble USB sur votre PC / Подсоедините USB-кабель к своему компьютеру / Verbinden Sie das USB-Kabel mit Ihrem PC / Conecta el cable USB a tu PC / Collega il connettore USB del cavo al tuo PC / Conecte o cabo de conexão USB ao seu PC / 將USB連接線連接到電腦上 / 将USB连接线连接到计算机上



STEP 2

Turn on your PC / Allumez votre PC / Включите компьютер / Schalten Sie Ihren PC ein / Enciende tu PC / Accendi il PC / Ligue o seu PC / 打開電腦 / 打开计算机



STEP 3

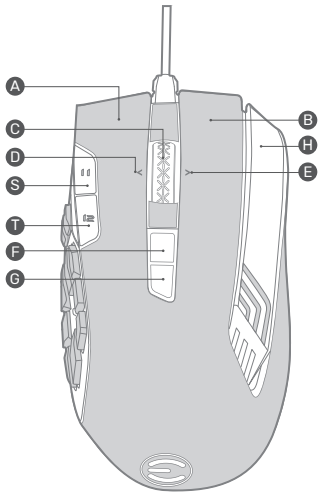
Install EVGA Unleash RGB Software / Installez le logiciel EVGA Unleash RGB / Установите ПО EVGA Unleash RGB / Installieren Sie die EVGA Unleash RGB Software / Instala el software EVGA Unleash RGB / Installa il software EVGA Unleash RGB / Instale o software EVGA Unleash RGB / 安裝EVGA Unleash軟體 / 安装EVGA Unleash软件



STEP 4

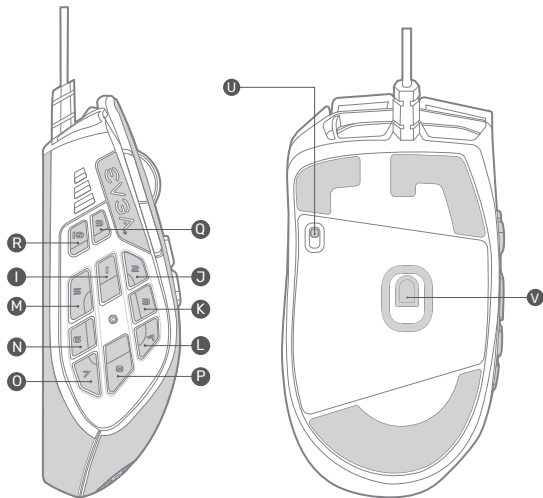
Enjoy it ! / Profitez ! / Наслаждайтесь ! / Viel Spaß damit ! / Disfruta ! / Buon divertimento ! / Aproveite ! / 好好享受 ! / 好好享受 !

INTRODUCTION



- A Left Click Key
- B Right Click Key
- C Middle Click Key
- D Wheel Left Click Key
- E Wheel Right Click Key
- F Profile Cycle Key
- G DPI Cycle Key
- H DPI Indicator
- S +
- T -

INTRODUCTION



I 1

J 2

K 3

L 4

M 5

N 6

O 7

P 8

Q 9


R 0

U E-Shift function system

V Pixart 3389 Optical Sensor

SETTING UP YOUR X15 GAMING MOUSE

LED Indicator :

DPI Status	Stage 1 - 800 DPI	DPI LED Indicator  #1 #2 #3 #4 #5
	Stage 2 - 1600 DPI	
	Stage 3 - 3200 DPI	
	Stage 4 - 6400 DPI	
	Stage 5 - 16000 DPI	
Profile Status	Profile 1	LED-Red
	Profile 2	LED-Orange
	Profile 3	LED-Yellow
	Profile 4	LED-Green
	Profile 5	LED-Blue

Multipurpose MMO Panel:

To offer 10 additional programmable buttons.

E-Shift function system:

It allows you to double the programmable buttons.

DEUTSCHE

EINLEITUNG

A Taste für Linksklick	I 1	Q 9
B Taste für Rechtsklick	J 2	R 0
C Taste für Mittelklick	K 3	S +
D Linksklick-Tastenrad	L 4	T -
E Rechtsklick-Tastenrad	M 5	U E-Shift-Umschalter
F Profil-Umschalttaste	N 6	V Pixart 3389
G DPI-Umschalttaste	O 7	optischer Sensor
H DPI-Anzeige	P 8	

Inbetriebnahme der X15 Gaming-Maus

LED Anzeige :

DPI-Status	Profilstatus
Stufe 1 - 800 DPI	Profil 1 LED - Rot
Stufe 2 - 1600 DPI	Profil 2 LED - Orange
Stufe 3 - 3200 DPI	Profil 3 LED - Gelb
Stufe 4 - 6400 DPI	Profil 4 LED - Grün
Stufe 5 - 16000 DPI	Profil 5 LED - Blau

DPI LED Anzeige



Mehrzweck-MMO-Panel:

10 zusätzliche, programmierbare Tasten.

E-Shift-Funktion:

Ermöglicht die Verdopplung der programmierbaren Tasten.

ITALIANO

PRESENTAZIONE

A Tasto sinistro	I 1	Q 9
B Tasto destro	J 2	R 0
C Tasto centrale	K 3	S +
D Tasto sinistro rotellina	L 4	T -
E Tasto destro rotellina	M 5	U Tasto funzione
F Tasto ciclo di profilo	N 6	E-Shift
G Tasto ciclo DPI	O 7	V Sensore ottico
H Puntatore DPI	P 8	Pixart 3389

Configurazione del mouse per gaming X15

Indicatore LED :

Stato dei DPI	Stato del profilo
Livello 1 - 800 DPI	Profilo 1 LED - rosso
Livello 2 - 1600 DPI	Profilo 2 LED - arancione
Livello 3 - 3200 DPI	Profilo 3 LED - giallo
Livello 4 - 6400 DPI	Profilo 4 LED - verde
Livello 5 - 16000 DPI	Profilo 5 LED - blu

Indicatore LED dei DPI



Pannello MMO multiuso:

Con 10 tasti programmabili extra.

Sistema con funzione E-Shift:

Consente di raddoppiare i tasti programmabili.

РУССКИЙ

ВВЕДЕНИЕ

A	Левая кнопка	I	1	Q	9
B	Правая кнопка	J	2	R	0
C	Средняя кнопка	K	3	S	+
D	Левая кнопка колесика (наклон влево)	L	4	T	-
E	Правая кнопка колесика (наклон вправо)	M	5	U	Функциональная кнопка E-Shift
F	Кнопка переключения профиля	N	6	V	Оптический датчик Pixart 3389
G	Кнопка изменения чувствительности (DPI)	O	7		
H	Индикатор чувствительности (DPI)	P	8		

Настройка игровой мыши X15

Светодиодный индикатор :

Состояние DPI	Статус профиля
Уровень 1 - 800 DPI	Профиль 1 Светодиодный индикатор - красный
Уровень 2 - 1600 DPI	Профиль 2 Светодиодный индикатор - оранжевый
Уровень 3 - 3200 DPI	Профиль 3 Светодиодный индикатор - желтый
Уровень 4 - 6400 DPI	Профиль 4 Светодиодный индикатор - зеленый
Уровень 5 - 16000 DPI	Профиль 5 Светодиодный индикатор - синий

Светодиодный индикатор DPI



Многоцелевая MMO-панель:

поддерживает 10 дополнительных программируемых кнопок.

Функциональная кнопка E-Shift:

позволяет удвоить количество функций, программируемых с помощью кнопок.

ESPAÑOL

INTRODUCCIÓN

A	Tecla de click izquierdo	I	1	Q	9
B	Tecla de click derecho	J	2	R	0
C	Tecla de click del medio	K	3	S	+
D	Tecla de click del medio	L	4	T	-
E	Tecla de click derecho de la rueda	M	5	U	Sistema E-Shift
F	Tecla de cambio de perfil	N	6	V	Sensor Óptico Pixart 3389
G	Tecla de cambio de DPI	O	7		
H	Indicador de DPI	P	8		

Configurando tu Mouse para Gaming X15

Indicador LED :

Estado de DPI	Estado de Perfil
Livello 1 - 800 DPI	Perfil 1 LED - Rojo
Livello 2 - 1600 DPI	Perfil 2 LED - Naranja
Livello 3 - 3200 DPI	Perfil 3 LED - Amarillo
Livello 4 - 6400 DPI	Perfil 4 LED - Verde
Livello 5 - 16000 DPI	Perfil 5 LED - Azul

Indicador LED de DPI



Panel MMO Multipropósito:

Ofrece hasta 10 botones programables adicionales.

Sistema de funciones E-Shift:

Te permite duplicar los botones programables.

FRANÇAIS

INTRODUCTION

A	Touche de clic gauche	I	1	Q	9
B	Touche de clic droit	J	2	R	0
C	Touche de clic du milieu	K	3	S	+
D	Touche de clic sur la molette de gauche	L	4	T	-
E	Touche de clic sur la molette de droite	M	5	U	Système avec fonction E-shift
F	Touche de cycle de profil	N	6	V	Capteur optique Pixart 3389
G	Touche de cycle de DPI	O	7		
H	Indicateur DPI	P	8		

Configuration de votre souris gaming X15

Indicateur LED :

Statut DPI

Stade 1 - 800 DPI
Stade 2 - 1600 DPI
Stade 3 - 3200 DPI
Stade 4 - 6400 DPI
Stade 5 - 16000 DPI

Statut du profil

Profil 1	Voyant LED-Rouge
Profil 2	Voyant LED-Orange
Profil 3	Voyant LED-Jaune
Profil 4	Voyant LED-Vert
Profil 5	Voyant LED-Bleu

Indicateur LED DPI



Grille MMO multifonction :

Offre 10 boutons programmables supplémentaires.

Système de fonction E-Shift :

Il permet de doubler les boutons programmables.

PORTUGUESE

INTRODUÇÃO

A	Tecla do botão esquerdo	I	1	Q	9
B	Tecla do botão direito	J	2	R	0
C	Chave de clique do meio	K	3	S	+
D	Tecla de clique com o botão esquerdo da roda	L	4	T	-
E	Tecla de clique com o botão direito da roda	M	5	U	Sistema de função E-Shift
F	Chave de Ciclo de Perfil	N	6	V	Pixart 3389 Sensor Óptico
G	Chave de ciclo de DPI	O	7		
H	Indicador DPI	P	8		

Configurando seu mouse para games X15

Indicador LED :

Status DPI

Estágio 1 - 800 DPI
Estágio 2 - 1600 DPI
Estágio 3 - 3200 DPI
Estágio 4 - 6400 DPI
Estágio 5 - 16000 DPI

Status do perfil

Perfil 1	LED - Vermelho
Perfil 2	LED - laranja
Perfil 3	LED - amarelo
Perfil 4	LED - Verde
Perfil 5	LED - Azul

Indicador LED DPI



Painel MMO multiuso:

Para oferecer 10 botões programáveis adicionais.

Sistema de função E-Shift:

Ele permite que você duplique os botões programáveis.

繁體中文

介紹

A	滑鼠左鍵	I	1	Q	9
B	滑鼠右鍵	J	2	R	0
C	滑鼠中鍵	K	3	S	+
D	左傾點擊鍵	L	4	T	-
E	右傾點擊鍵	M	5	U	E-Shift Fn 功能鍵系統
F	設定檔切換鍵	N	6	V	Pixart3389 光學傳感器
G	DPI 切換鍵	O	7		
H	DPI 指示燈	P	8		

設置您的 X15 電競滑鼠

LED 指示燈：

DPI 狀態

DPI 階段 1 - 800 DPI
DPI 階段 2 - 1600 DPI
DPI 階段 3 - 3200 DPI
DPI 階段 4 - 6400 DPI
DPI 階段 5 - 16000 DPI

設定檔狀態

設定檔 1	LED - 紅燈
設定檔 2	LED - 橘燈
設定檔 3	LED - 黃燈
設定檔 4	LED - 綠燈
設定檔 5	LED - 藍燈

DPI LED 指示燈



MMO 巨集鍵：

提供額外10項可編程按鈕。

E-Shift Function 按鍵：

雙倍您的可編程按鈕。

简体中文

介紹

A	鼠标左键	I	1	Q	9
B	鼠标右键	J	2	R	0
C	鼠标中键	K	3	S	+
D	左倾点击键	L	4	T	-
E	右倾点击键	M	5	U	E-Shift Fn 功能键系统
F	配置文件切换键	N	6	V	Pixart3389 光学传感器
G	DPI 切换键	O	7		
H	DPI 指示灯	P	8		

设置您的 X15 游戏鼠标

LED 指示灯：

DPI 状态

DPI 阶段 1 - 800 DPI
DPI 阶段 2 - 1600 DPI
DPI 阶段 3 - 3200 DPI
DPI 阶段 4 - 6400 DPI
DPI 阶段 5 - 16000 DPI

设定档状态

设定档 1	LED - 红灯
设定档 2	LED - 橘灯
设定档 3	LED - 黄灯
设定档 4	LED - 绿灯
设定档 5	LED - 蓝灯

DPI LED 指示灯



MMO 宏按钮：

提供额外10项可编程按钮。

E-Shift Function 按键：

双倍您的可编程按钮。

TRADEMARK & COPYRIGHT INFORMATION

Trademark & Copyright Information

2000-2020 EVGA Corp. EVGA, the EVGA logo and combinations thereof are trademarks of EVGA Corp. All brand names, company names, service marks, logos, and trademarks of the company, or its affiliates or licensors are trademarks or registered trademarks of the company or its subsidiaries, affiliates or licensors in the US and other countries. Other company, products and service names may be trademarks or service marks of others. EVGA reserves the right to terminate this license if there is a violation of its terms or default by the Original Purchaser. Upon termination, for any reason, all copies of Software and materials must be immediately returned to EVGA and the Original Purchaser shall be liable to EVGA.com CORP for any and all damages suffered as a result of the violation or default.

Legal Information

All material including but not limited to, text, data, design specifications, diagnostics, graphics, logos, reference boards, files, images, drawings, and software including this document and the software itself (together and separately) is owned, controlled by, licensed to, or used with permission by EVGA Corporation and is protected by copyright, trademark, and other intellectual property rights. All is being provided "as is", EVGA Corporation makes no warranties, whether express or implied, statutory or otherwise with respect to the materials and expressly disclaims all implied warranties of non-infringement, merchantability, and fitness for a particular purpose. In no event shall the liability of EVGA Corporation for claims arising from the use of the materials by anyone exceed the original purchase price of the materials (or replacement of the materials at EVGA Corporation's option). All information furnished is believed to be accurate and reliable. However, EVGA Corporation assumes no responsibility for the consequences of use of such information or for any infringement of patents or other rights of third parties that may result from its use, or use of the Software. No license is granted by implication or otherwise under any patent or patent rights of EVGA Corporation except as expressly provided herein. All specifications mentioned in this publication are subject to change without notice.



This product must not be disposed of with your other household waste or treat them in compliance with the local regulations or contact your local city office, your household waste disposal service or the shop where you purchased the product.

《废弃电器电子产品回收处理管理条例》提示性说明为了更好地关爱及保护地球，当用户不再需要此产品或产品寿命终止时，请遵守国家废弃电器电子产品回收处理相关法律法规，将其交给当地具有国家认可的回收处理资质的厂商进行回收处理。

COMPLIANCE INFORMATION



FCC STATEMENT

This equipment has been tested and found to comply with the limits for a Class B digital device, pursuant to part 15 of the FCC Rules. These limits are designed to provide reasonable protection against harmful interference in a residential installation. This equipment generates, uses and can radiate radio frequency energy and, if not installed and used in accordance with the instructions, may cause harmful interference to radio communications. However, there is no guarantee that interference will not occur in a particular installation. If this equipment does cause harmful interference to radio or television reception, which can be determined by turning the equipment on and off, the user is encouraged to try to correct the interference by one or more of the following measures:

- Reorient or relocate the receiving antenna.
- Increase the separation between the equipment and receiver.
- Connect the equipment into an outlet on a circuit different from that to which the receiver is connected.
- Consult the dealer or an experienced radio/TV technician for help.

This device must not be co-located or operating in conjunction with any other antenna or transmitter. Operation is subject to the following two conditions:

(1) this device may not cause harmful interference, and

(2) this device must accept any interference received, including interference that may cause undesired operation.

This device complies with Part 15 of the FCC Rules. Operation is subject to the following two conditions:

(1) This device may not cause harmful interference, and

(2) this device must accept any interference received, including interference that may cause undesired operation.

Any changes or modifications to this equipment not expressly approved by the party responsible for compliance could void the user's authority to operate the equipment.

Industry Canada STATEMENT:

This device complies with RSS standards of the Industry Canada Rules. Operation is subject to the following two conditions: (1) This device may not cause harmful interference, and (2) this device must accept any interference received, including interference that may cause undesired operation.

Ce dispositif est conforme à la norme CNR d'Industrie Canada applicable aux appareils radio exempts de licence. Son fonctionnement est sujet aux deux conditions suivantes: (1) le dispositif ne doit pas produire de brouillage préjudiciable, et (2) ce dispositif doit accepter tout brouillage reçu, y compris un brouillage susceptible de provoquer un fonctionnement indésirable.

This Class B digital apparatus complies with Canadian ICES-003.

Cet appareil numérique de la classe B est conforme à la norme NMB-003 du Canada.

CE Compliance Information

Generic Radiation Interference Standard for Information Technology Equipment. (EN 55022: 2006, Class B), (EN 61000-3-2: 2006), (EN 61000-3-3: 1995 + A1: 2001 + A2: 2005). Warning: This is a Class B product. In a domestic environment this product may cause radio interference in which case the user may be required to take adequate measure. Generic Immunity Standard for Information Technology Equipment. (EN 55024: 1998 + A1: 2001 + A2: 2003).

关于符合中国《电子信息产品污染控治管理办法》的声明

产品名称:游戏鼠标



Model No.「产品型号」: Gaming Mouse / 游戏鼠标 : X15

部件名称	有害物质					
	鉛 (Pb)	汞 (Hg)	镉 (Cd)	六价铬 (Cr ⁶⁺)	多溴联苯 (PBB)	多溴二苯醚 (PBDE)
外壳	○	○	○	○	○	○
滚轮装置	○	○	○	○	○	○
电路板组件	X	○	○	○	○	○
连接线及配件	○	○	○	○	○	○

本表格依据 SJ/T 11364 的规定编制。

○: 表示该有毒物质在该部件所有均质材料中的含量均在 GB/T 26572 规定的限量要求以下。

X: 表示该有害物质至少在该部件的某一均质材料中的含量超出 GB/T 26572 规定的限量要求。

表中标有 "X" 的所有部件都符合欧盟 RoHS 法规 " 关于电子电器设备中限制使用某些有害物质的 2011/65/EU 指令 "

注: 环保使用期限的参考标示取决于产品正常工作的温度和湿度等条件。

Contact Information:

EVGA Corporation: 408 Saturn Street, Brea, CA 92821, USA

EVGA Miami: 1345 NW 98 Court, Bldg A, Unit #3, Dorale, FL 33172

EVGA GmbH: Am Haag 8, 82166 Gräfelting, Germany

EVGA Taipei: 18F., No.176, Jian 1st Rd., Zhonghe Dist., New Taipei City 235, Taiwan(R.O.C)

艾維克科技股份有限公司: 新北市中和區建一路176號18樓

TEL : +1.888.881.3842

TEL : +1.305.477.1252

TEL : +49.89.189.049.11

TEL : +886.2.82262868

TEL : +886.2.82262868

Product Information:

Gaming Mouse/游戏鼠标/遊戲滑鼠

Model/型号/型號: X15

Rating/额定/額定: 5V-300mA

Made in China/中国制造/中國製造

台灣RoHS符合性聲明

設備名稱：遊戲滑鼠 Equipment name: Gaming Mouse		型號 (形式): X15 Type designation (Type): X15				
單元 Unit	限用物質及其化學符號 Restricted substances and its chemical symbols					
	鉛 Lead (Pb)	汞 Mercury (Hg)	鎘 Cadmium (Cd)	六價鉻 Hexavalent Chromium (Cr ⁺⁶)	多溴聯苯 Polybrominated biphenyls (PBB)	多溴二苯醚 Polybrominated diphenyl ethers (PBDE)
外殼	○	○	○	○	○	○
滾輪裝置	○	○	○	○	○	○
電路板組件	-	○	○	○	○	○
連接線及配件	○	○	○	○	○	○
<p>備考 1. “超出 0.1 wt %” 及 “超出 0.01 wt %” 係指限用物質之百分比含量超出百分比含量基準值。 Note 1: “Exceeding 0.1 wt %” and “exceeding 0.01 wt %” indicate that the percentage content of the restricted substance exceeds the reference percentage value of presence condition.</p> <p>備考 2. “○” 係指該項限用物質之百分比含量未超出百分比含量基準值。 Note 2: “○” indicates that the percentage content of the restricted substance does not exceed the percentage of reference value of presence.</p> <p>備考 3. “-” 係指該項限用物質為排除項目。 Note 3: The “-” indicates that the restricted substance corresponds to the exemption.</p>						

